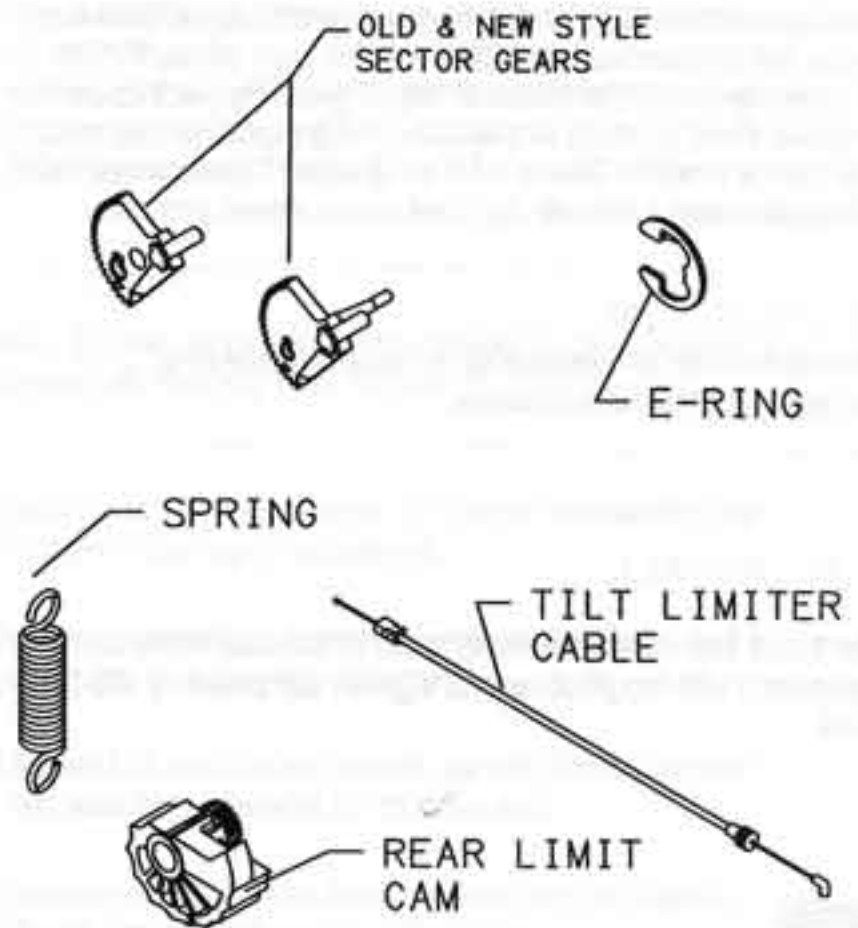


AERON® REAR LIMIT CAM, TILT SECTOR GEAR & CABLE REPLACEMENT



REAR LIMIT CAM,
TILT SECTOR GEAR &
CABLE

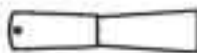
PARTS INCLUDED



TOOLS NEEDED



RATCHET WRENCH W/
6MM HEX HEAD BIT



1" PUTTY KNIFE



KNEEDLE NOSE PLIERS



RING RETAINER
TOOL



#2 PHILLIPS
HEAD SCREWDRIVER

PROCEDURE

NOTICE

Make sure fasteners are torqued to specified values.

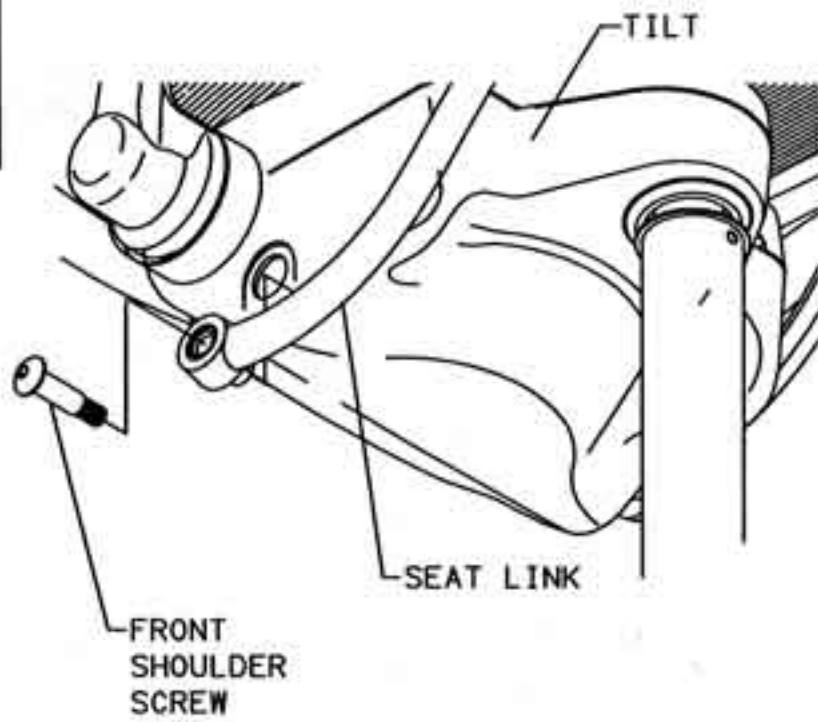
CAUTION

Tilt tension must be put at the lowest position to install this service item.

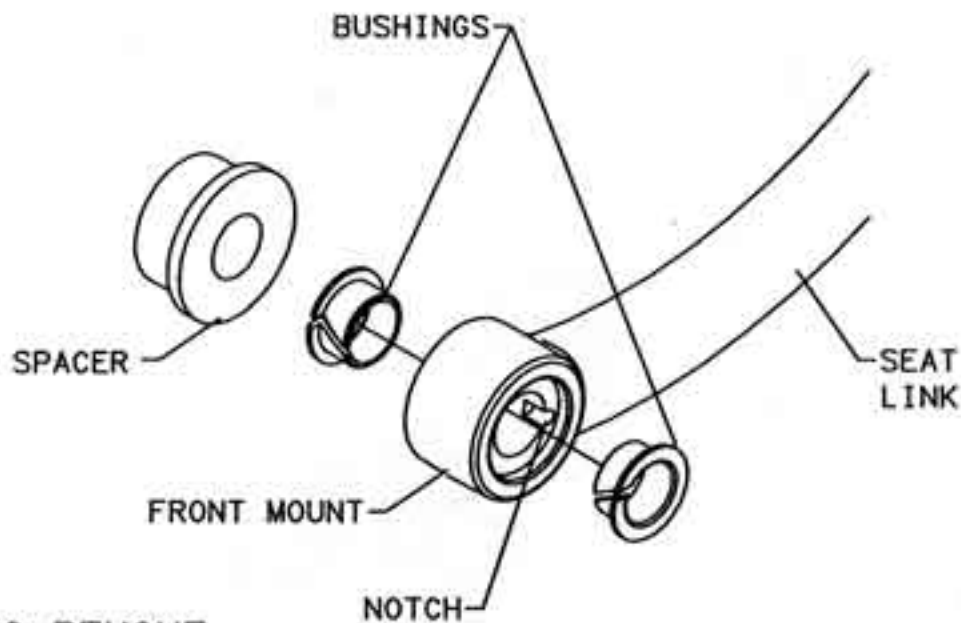
CAUTION

Forward tilt must not be in activated position before this service procedure begins.

1



(OLDER VERSION)



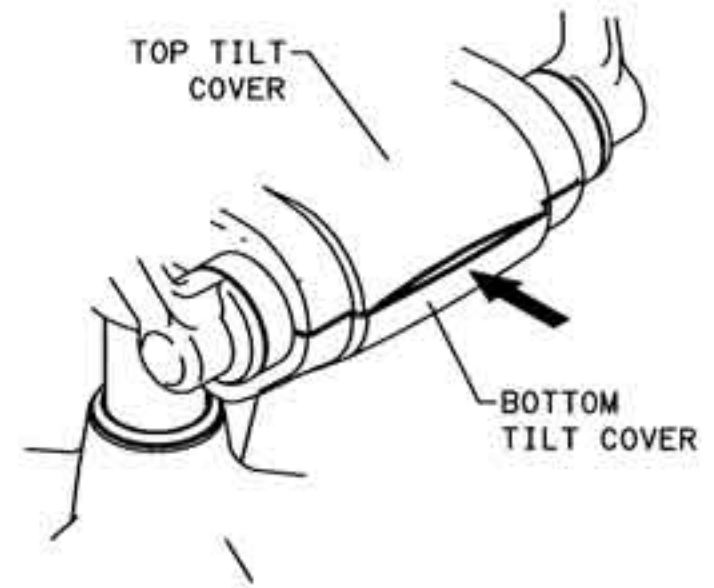
TO REMOVE:

1. While supporting seat link, use 6MM socket, ratchet wrench to remove shoulder screw attaching seat link to tilt. Set aside shoulder screw. Let seat link hang. Remove spacers and or bushings if applicable and set aside. Repeat for opposite side.

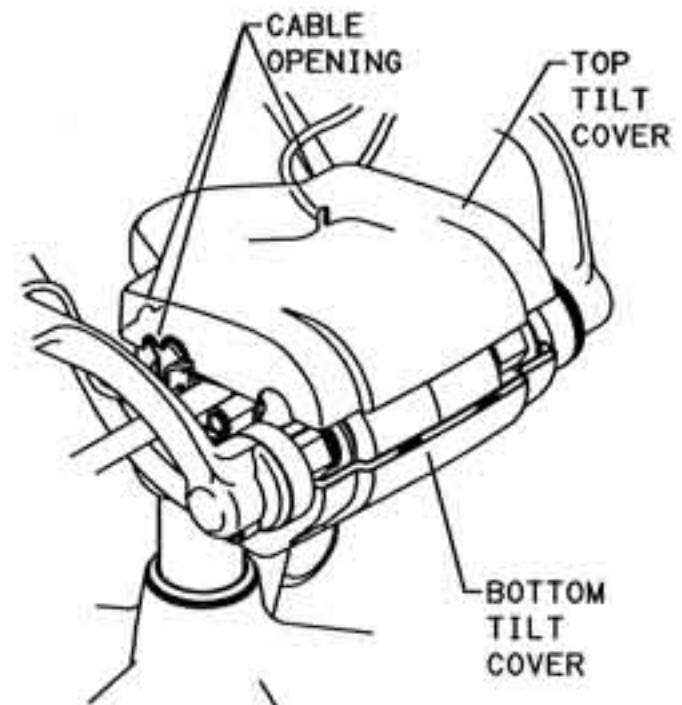
TO REINSTALL:

1. Attach front mount of seat link to tilt with shoulder screw. Tighten and torque to 120-150 in-lbs.

2



(FIGURE SHOWN WITH SEAT FRAME REMOVED)



(FIGURE SHOWN WITH SEAT FRAME REMOVED)

⚠ CAUTION

Make sure all cables are routed through cable openings on tilt cover before snapping tilt cover in place or product damage occur.

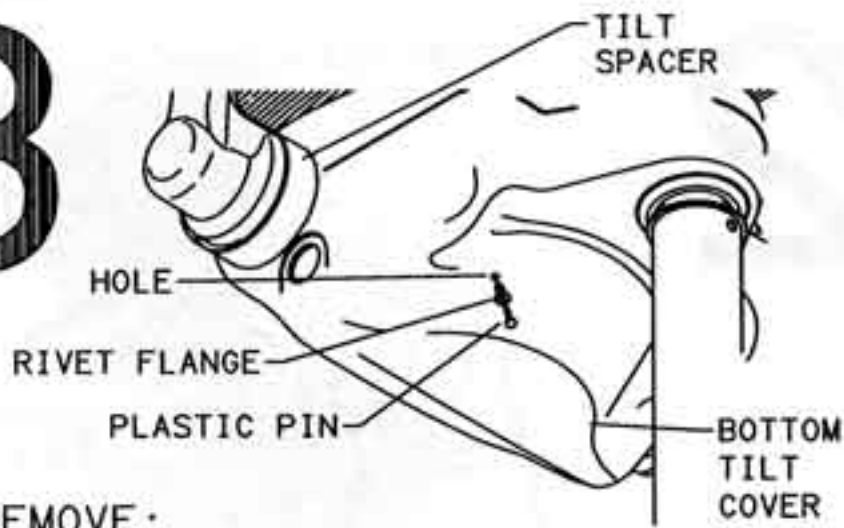
TO REMOVE:

1. Apply pressure on front of bottom tilt cover to start separation of tilt covers. Insert 1" putty knife between top and bottom covers and twist to completely separate tilt covers. Set top tilt cover aside.

TO REINSTALL:

1. Place top tilt cover on tilt and align to bottom tilt cover. Route all cables through cable openings and snap covers together.

3

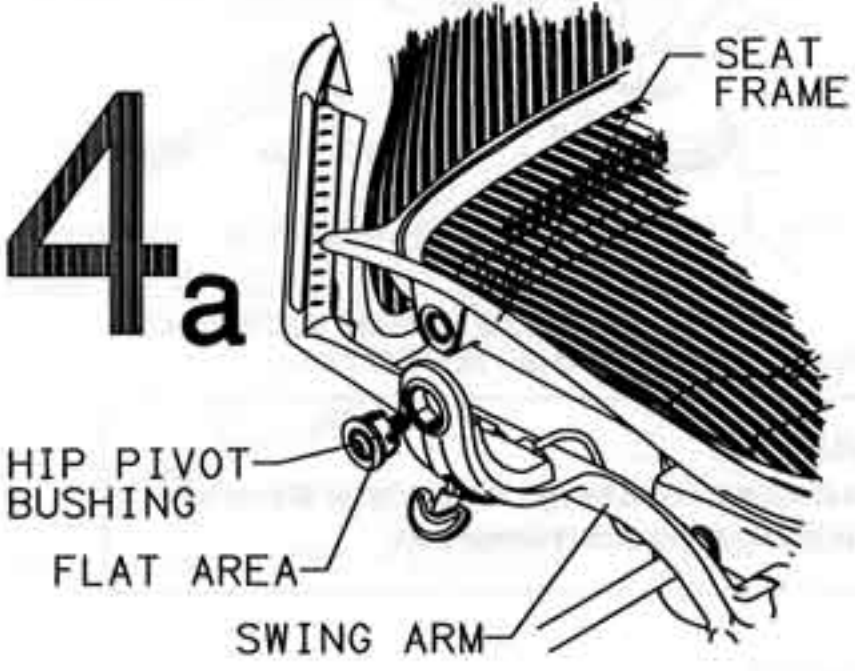


TO REMOVE:

1. Using needle nose pliers, remove plastic pin from rivet flange from under side of lower tilt cover on left side and set aside. Using needle nose pliers, remove rivet flange from tilt cover and set aside. Let bottom cover rest on base. Older chairs secure cover with (2) phillipshead screws. Use #2 phillips head screwdriver to remove and set aside.

TO REINSTALL:

1. Slide bottom tilt cover up to tilt. Make sure notches in tilt spacer grooves engage slots in tilt cover. If necessary, rotate tilt spacers to align notches with slots. Align hole in tilt cover to hole in tilt. Install rivet flange into tiltcover and tilt. Insert rivet pin into rivet flange.



(FOR CHAIRS MANUFACTURED AFTER JUNE 4, 2003)
 (FOR CHAIRS MANUFACTURED AFTER MARCH 9, 2004, GO ON TO STEP 7)

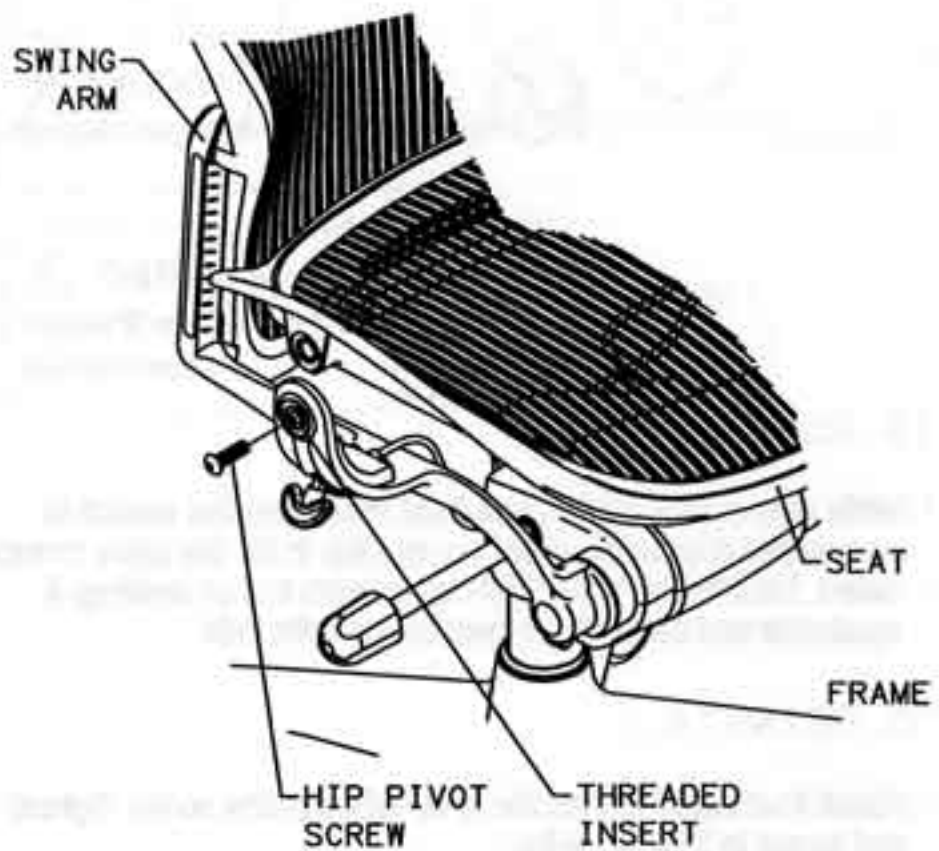
TO REMOVE:

1. Using ratchet and 6MM hex bit, remove hip pivot bushing assembly from swing arm. Loosening pivot fastener will force hip pivot bushing assembly from swing arm. After hip pivot fastener has disengaged from seat frame, remove hip pivot bushing and set aside. Repeat for other side. Remove seat frame with b-links and set aside.

TO REINSTALL:

1. Make certain flat area around fasteners head in hip pivot bushing is flat and aligned with bushing area. Repeat for other hip pivot bushing.
2. Lower seat in place. Align fastener in seat frame to mounting hole in swing arm and insert hip pivot bushing.
3. Insert other hip pivot fastener into swing arm aligning top and bottom guides into slots in swing arm opening.
4. Using 6MM head bit and ratchet wrench, partially thread hip pivot fastener into seat frame. Repeat for opposite side.
5. Secure fasteners of hip pivot bushing, drawing hip pivot bushing into seat frame. Torque fasteners to 180-200 lbs.

4b



(FOR CHAIRS MANUFACTURED BEFORE JUNE 4, 2003)

TO REMOVE:

1. Using ratchet and 6MM hex bit, remove hip pivot screw from each swing arm. If threaded insert turns with hip pivot screw, **STOP** immediately and do the following step: Tighten hip pivot screw into threaded insert as much as possible. Using a quick jerking motion with ratchet wrench. Back out hip pivot screw from threaded insert. If threaded insert turns with hip pivot screw, repeat process.

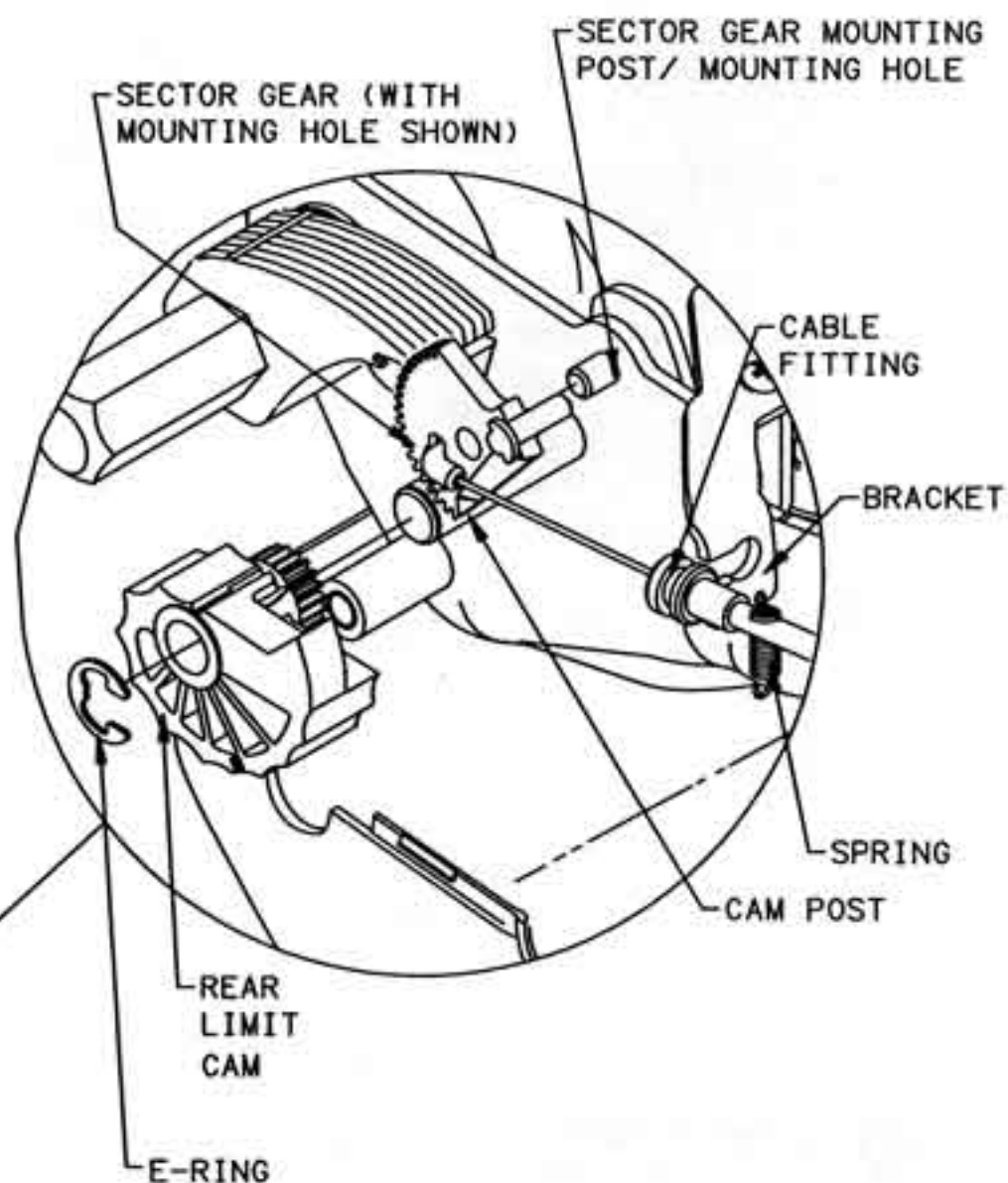
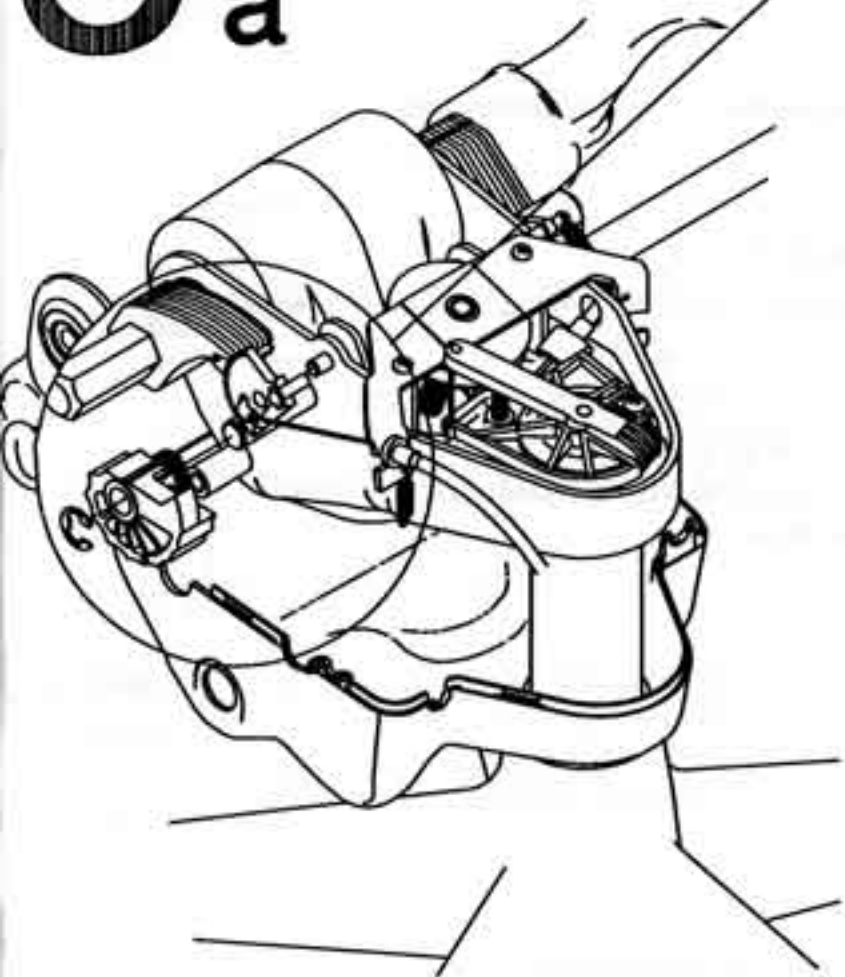
⚠ CAUTION

If threaded inserts turn while removing hip pivot screws from seat frame, **STOP IMMEDIATELY** and follow instructions.

TO REINSTALL:

1. Place seat frame between swing arms. Attach seat frame to swing arms with hip pivot screws. Tighten and torque to 180-200 in lbs.

5 a



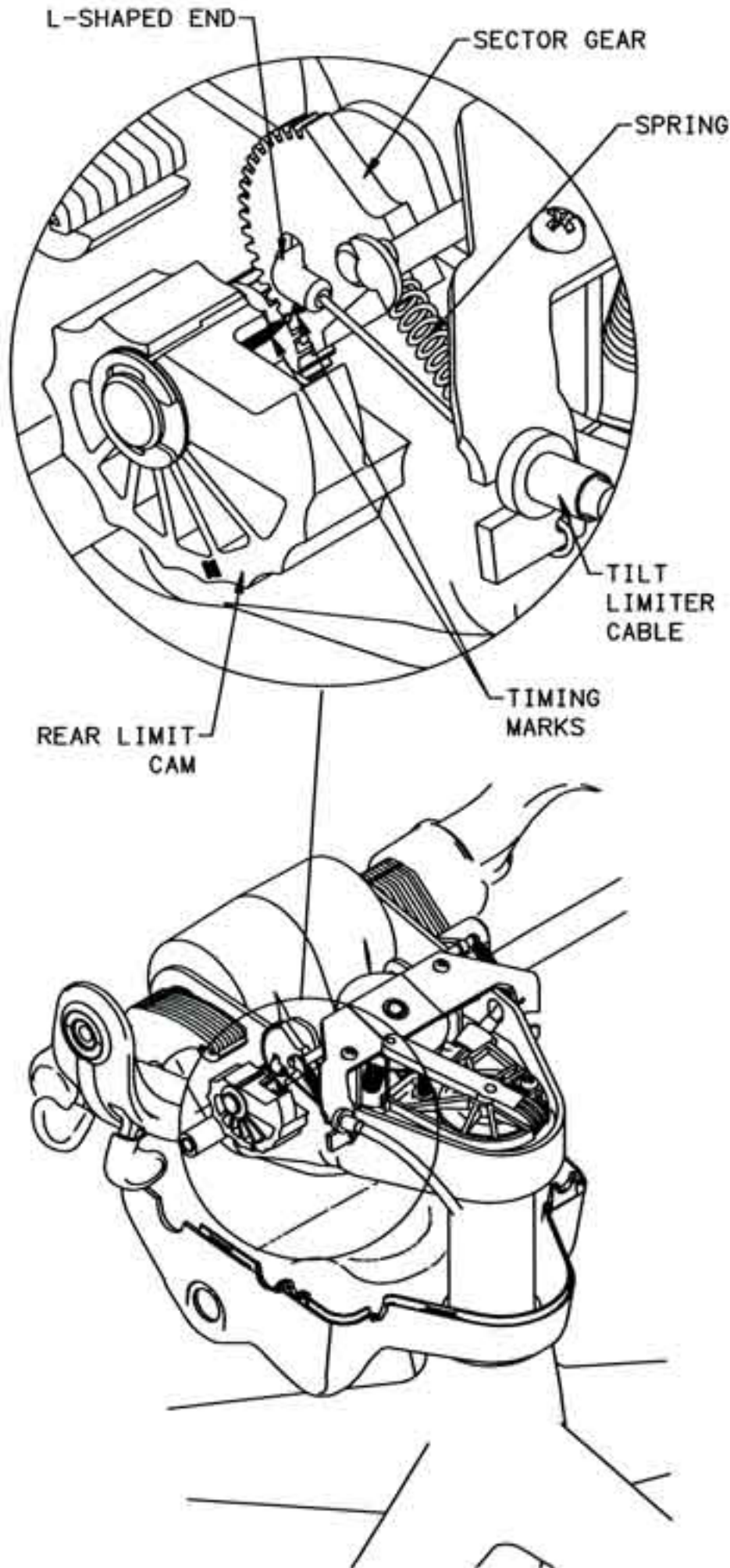
TO REMOVE:

1. Tilt limiter must be in released position (tilt limiter lever all the way down.) Using small needle nose pliers, remove spring from sector gear and let hang down.
2. Using small straight head screwdriver, remove e-ring securing rear limit cam and set aside. Remove rear limit cam and dispose of properly. Remove sector gear, with cable attached from sector gear post and let hang. If chair is manufactured after 8-23-04, remove sector gear from cable and dispose of properly. See figure in step 8.

TO REINSTALL:

1. Slide sector gear and attached tilt limiter cable onto sector gear post/sector gear mounting hole. Attach spring to sector gear.

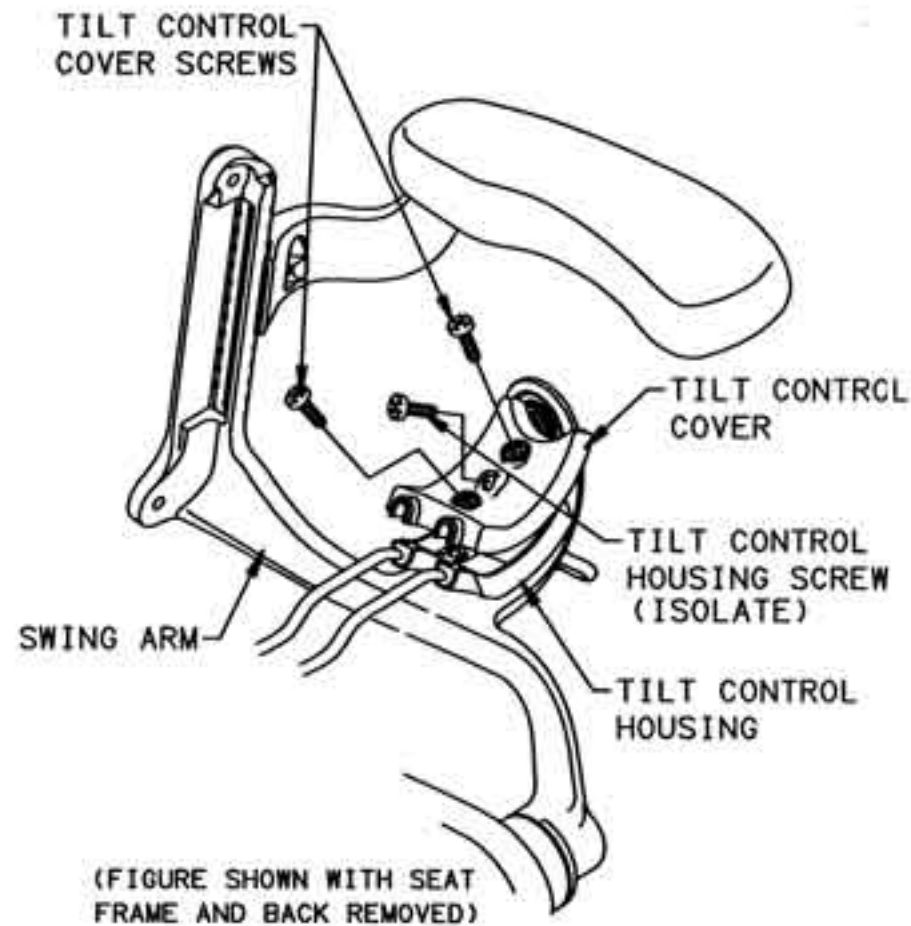
5 b



TO REINSTALL :

1. Slide rear limit cam on cam post, aligning timing marks on sector gear and rear limit cam. Secure with e-ring.
2. Slide tilt limiter cable mounting flange into slot on end of tension yoke.

6



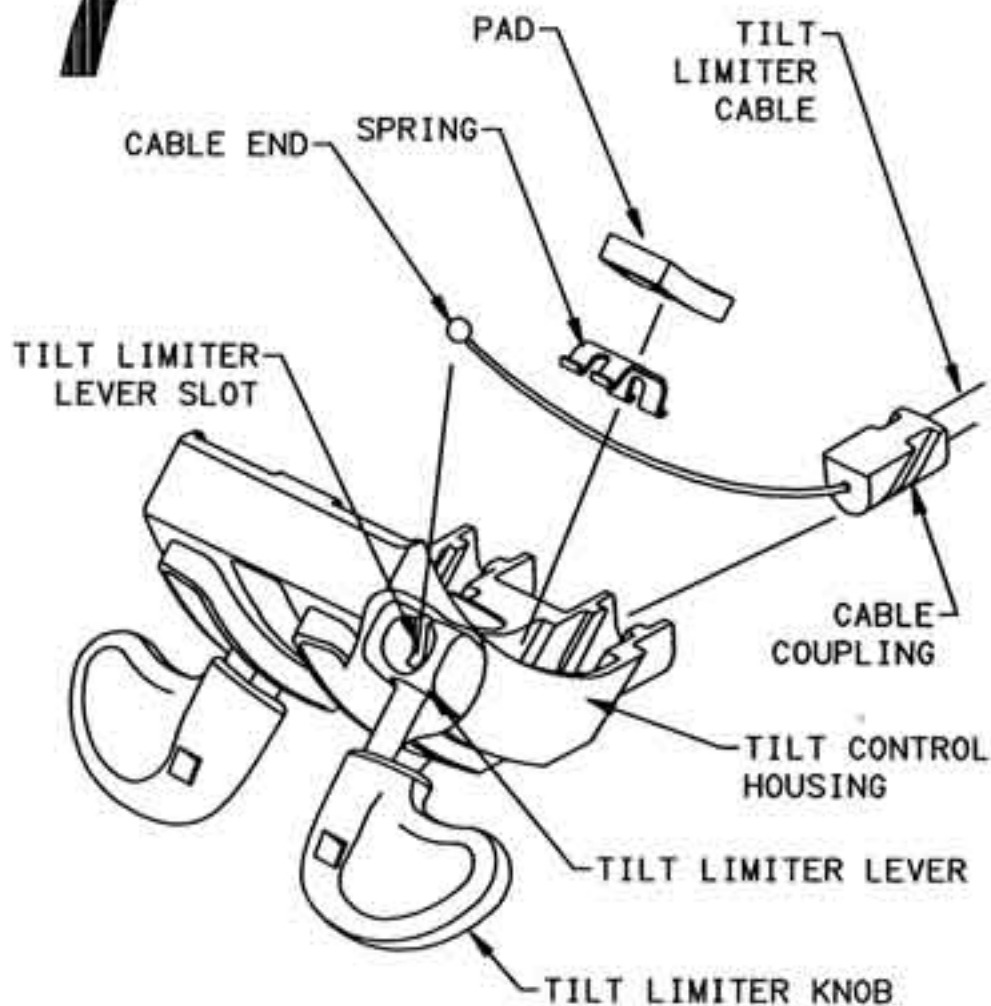
TO REMOVE: (FOR CHAIRS MANUFACTURED BEFORE 8-23-04)

1. Using #2 phillips head screwdriver, remove and set aside screw tilt control to swing arm. Keep this screw isolated from all other hardware while undergoing this procedure. Remove and set aside (2) screws fastening tilt control cover to tilt control housing. Set aside tilt control cover.

TO REINSTALL :

1. Using #2 phillips head screwdriver, secure tilt control cover on tilt control housing with (2) screws.
2. Using #2 phillips head screwdriver, secure tilt control to swing arm with screw.

7



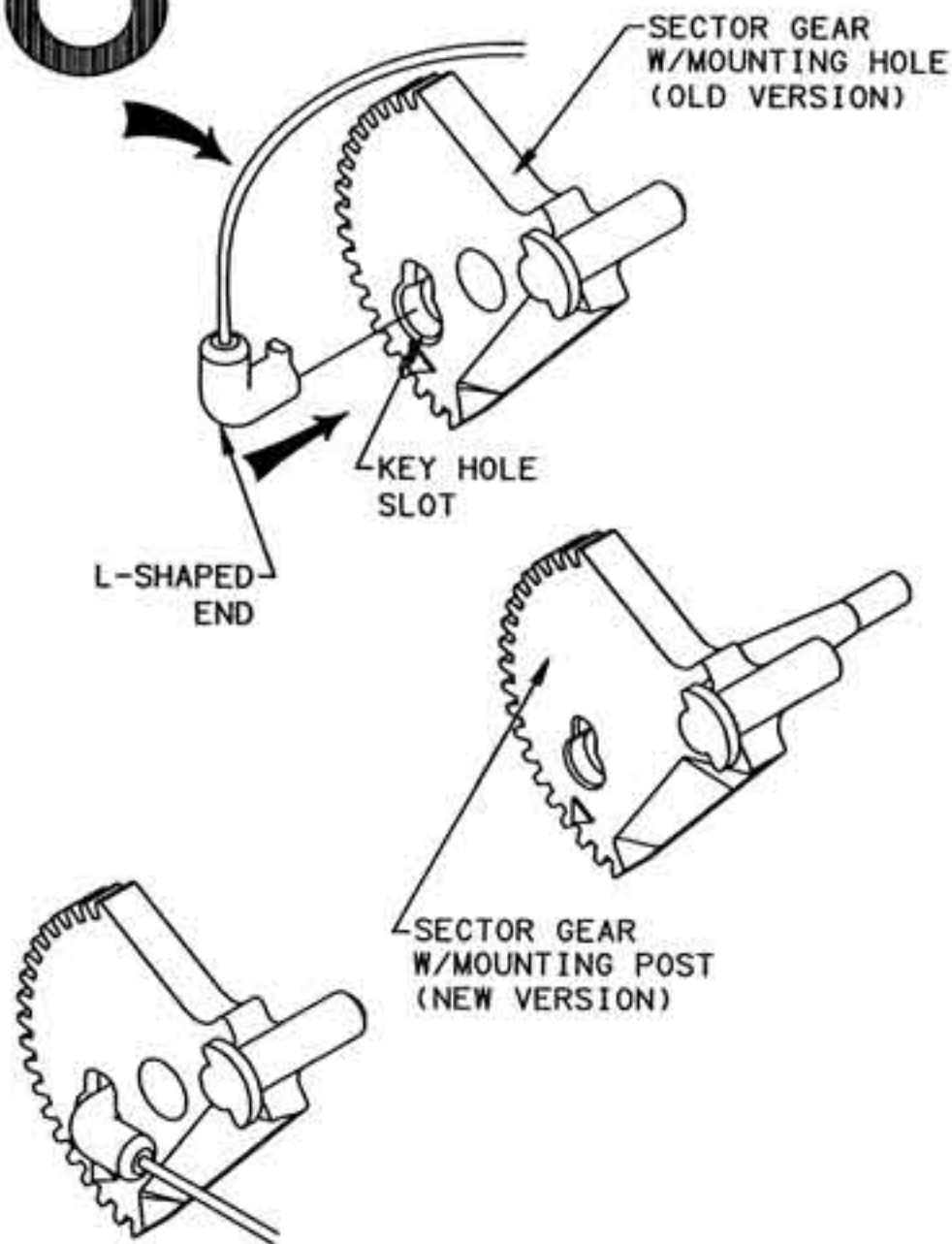
TO REMOVE: (FOR CHAIRS MANUFACTURED BEFORE 8-23-04)

1. Remove and set aside pad and spring from tilt limiter lever. Remove tilt limiter cable from tilt limiter lever.

TO REINSTALL: (FOR CHAIRS MANUFACTURED BEFORE 8-23-04)

1. Slide replacement tilt limiter cable coupling into slot in tilt limiter lever. Insert spring over cable into cavity of lever. Place pad over spring.

8



TO REINSTALL:

1. Select appropriate sector gear, one that pivots on post of tilt (older version) or one with integral pivoting post that inserts in tilt (newer version).
2. Insert L-shaped end of replacement tilt limiter cable into keyhole slot