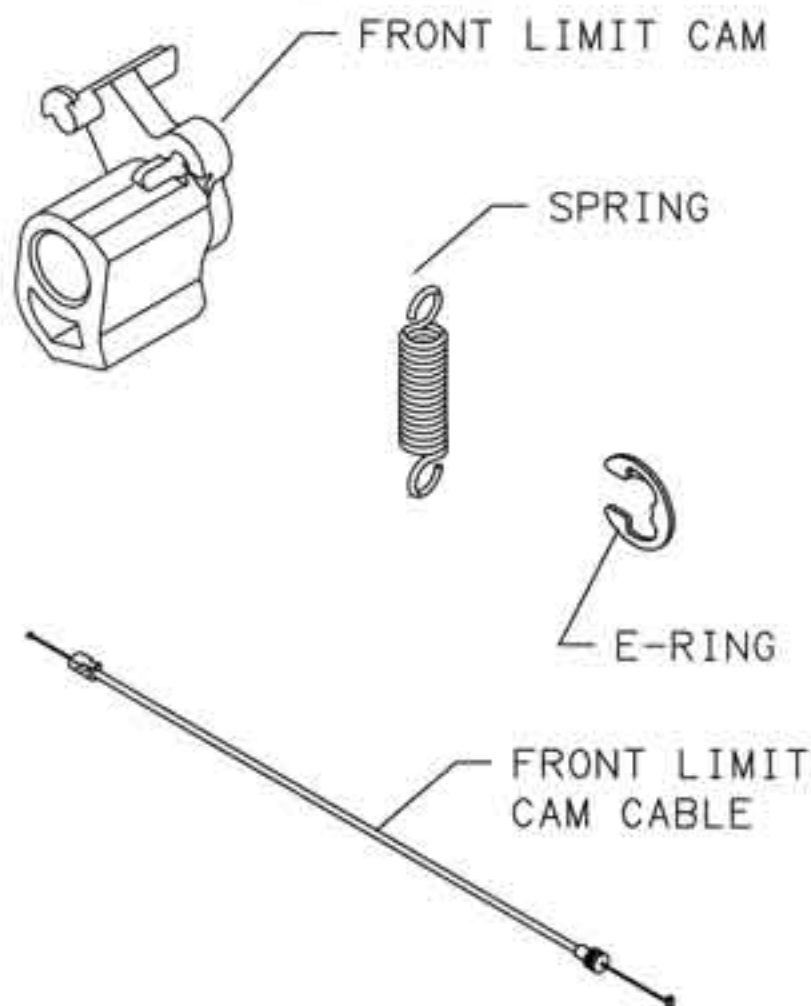


AERON® FRONT LIMIT CAM REPLACEMENT



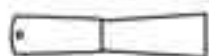
PARTS INCLUDED



TOOLS NEEDED



RATCHET WRENCH W/
6MM HEX HEAD BIT



1" PUTTY KNIFE



NEEDLE NOSE
PLIERS



RING RETAINER
TOOL



SMALL STRAIGHT
HEAD SCREWDRIVER

PROCEDURE

1

NOTICE

If chair is manufactured after 3-09-04, complete steps 1-3 & go onto step 8b.

NOTICE

Make sure fasteners are torqued to specified values.

CAUTION

Tilt tension must be put at the lowest position to install this service item.

CAUTION

Forward tilt must not be in activated position before this service procedure begins.