

ETHOSPACE® COAT HOOK INSTALLATION INSTRUCTIONS

PRODUCT



PROCEDURE

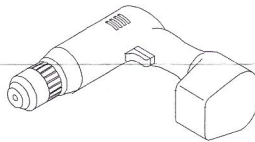


CAUTION

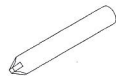
Improper installation can lead to product damage and/or personal injury.

NOTE: Coat hooks to be installed on top tile location only.
Tile must be attached to frame prior to installing
Coat Hook.

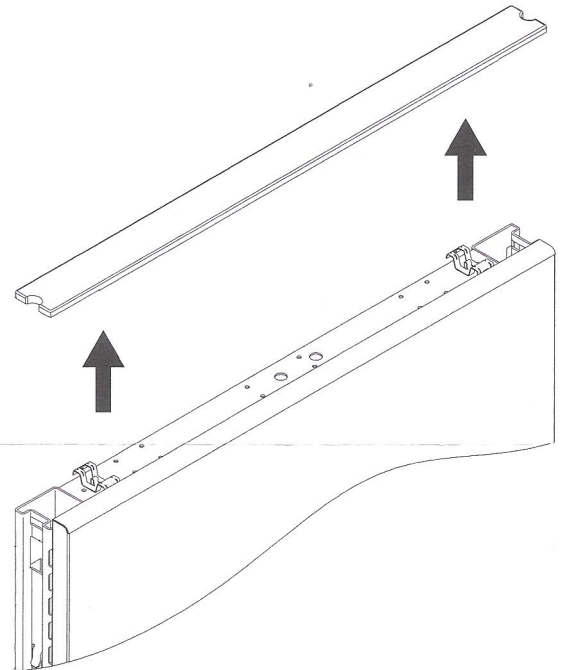
TOOLS REQUIRED



POWER DRIVER



PHILLIPS HEAD BIT



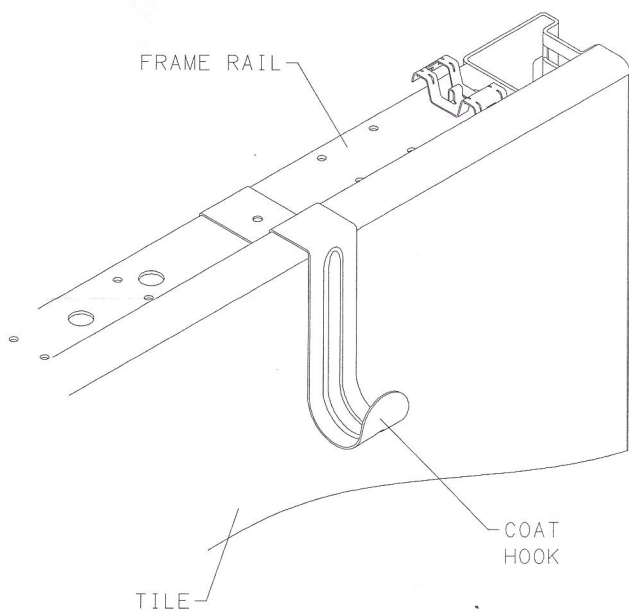
1. Remove Top Cap from frame.

1B37SW REV A

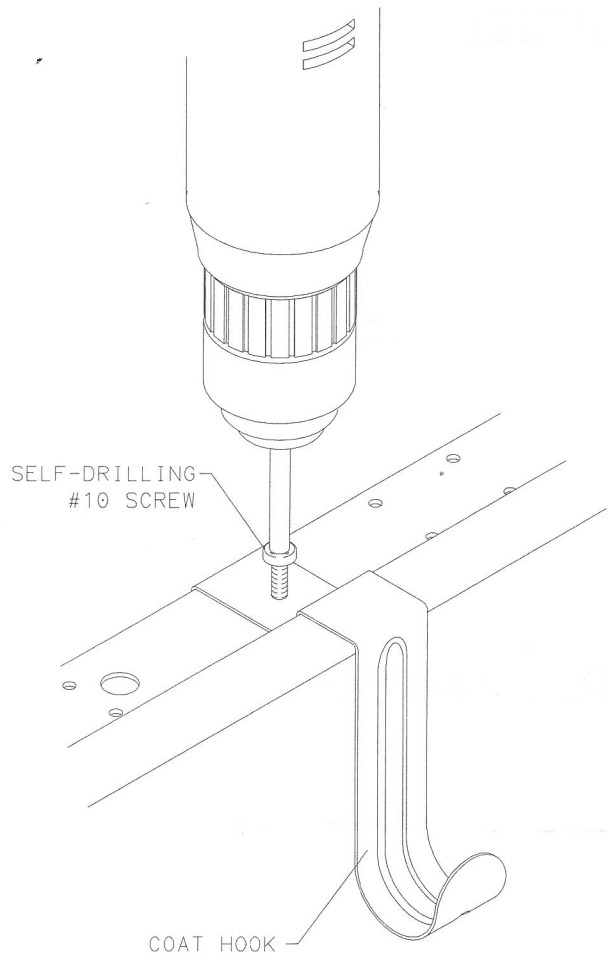


© 2005 Herman Miller, Inc., Zeeland, Michigan Printed in U.S.A.
© Herman Miller, Action Office, Aeron, Ambi, Arrio, Aside, Avive, Capex, Co/Struc, Eames, Equa, Equa 2, Ergon, Ergon 2, Ergon 3, Ethospace, Kinemat, Kiva, Liaison, Meridian, Mirra, Passage, Pellicle, PostureFit, Proper, Prospects, Reaction, Resolve, Scooter, Super Room, and V-Wall are among the registered trademarks of Herman Miller, Inc. and its subsidiaries.
™ Abak, AireWeave, Babble, Bubbletack, Burdick Group, Cellular Suspension, E-Wall, Flex-Edge, Intersect, Milafin, Multiscrim, Multiscrim 2, Puzzle, Q, Quadrant, Sonare Technologies, and Viaro are among the trademarks of Herman Miller, Inc. and its subsidiaries.

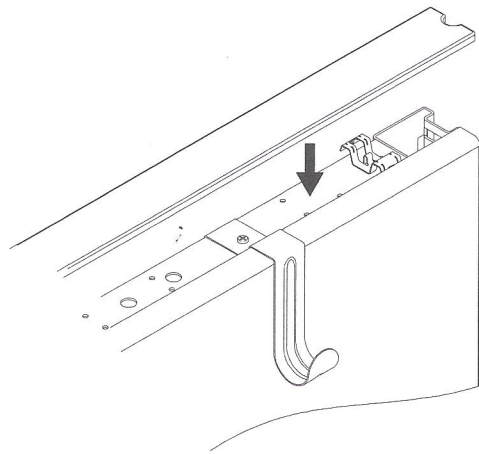
Illustrations and specifications are based on the latest product information available at the time of publication. The right is reserved to make changes in design and specifications at any time, without notice, and also to discontinue products.



2. Position Coat Hook on top of frame rail.



3. Secure Coat Hook to frame rail by drilling the Self-Drilling #10 Screw through the hole in the Coat Hook and into the frame rail.



4. Replace Top Cap.